



// NEW FOREST 650SQ ELECTRIC FIRE



// WELCOME TO BRITISH FIRES

At British Fires the design and development team has one mindset, uncompromising quality, which drives us to deliver top-end products. Our aim is to help you create a peaceful and relaxing environment.



# // SQUARE STYLE

The New Forest 650sq electric fire adds a new dimension to the family of inset fires. The perfect square design takes a traditional concept and incorporates our award-winning LED flame visuals to create a contemporary focal point. Equipped with our highly regarded Signature Logs you also have the choice of upgrading to Deluxe Real Logs. Whichever your choice the 650sq will be a great addition to any room.



# // SIMPLE INSTALLATION

There isn't a wrong way to install the New Forest 650sq... just your way... choose between a marble suite, MDF marble-effect slips, or keep it minimal with just the fire. The installation process is straight-forward and simple to complete either way. All you need to set up the 650sq is a power source and a flat wall, existing chimney, or false chimney breast.

For installations where the fire is set into an existing, or false chimney breast we offer a cavity box that will protect the product in-situ from internal leaks and damp.

The cavity box is an additional purchase. See page 21 for the dimensions.



**EXISTING OPENING**



**SEAMLESS CHIMNEY BREAST**



**FLAT WALL**

# // EXPLORE THE FUEL BED OPTIONS

## **Deluxe Real logs**

Our trend-setting Deluxe Real Logs create the perfect setting as a centre-piece. Combined with award winning LED flame-effects they make for a truly beautiful, warm and convincing fireplace.

## **Signature Logs**

Creating the most realistic logs on the market was a benchmark we wanted to achieve. We did exactly that with our Signature Logs by modelling them based on trees found in the New Forest National Park in Hampshire, UK. Hand-painted details such as charring add to the life-like setting of the New Forest Electric Fire.



# // DELUXE REAL LOGS

Upgrade your view and create the ultimate experience with Deluxe Real Logs.

Each Deluxe Real Log is unique and artisanally crafted using actual logs found in nature. They really enhance an already prominent statement piece in any room, taking any viewer by surprise. Especially, when you tell them that they are *real logs*.

The development process of the Deluxe Real Logs fuel bed begins by selecting different sized logs which are scorched and charred to add realness. Branches and twigs, along with the scorched logs are then arranged in a bespoke composition upon on a forest floor bed comprised of bark and log remnants.

\*Upgraded purchase. Not included with standard model.

Log arrangements are bespoke and may differ from the images in this brochure.



Natural, real logs

Individually Hand scorched

Each Deluxe Real Log fuel bed is set by hand for a slightly unique and bespoke arrangement

# // FOREST VIEW

In the Forest View fuel bed setup the Signature Logs sit upon a bed of diamond crystals, bark and husk. This combination creates an Earthy, yet vibrant feel with a twinkle of lights from below and, with the downlights turned on from above, creates a warmly lit centrepiece.

\*Included with standard model.





## // SLATE VIEW

A dynamic way to enhance the lighting of the New Forest is with the Slate View. To enhance the fuel bed ember effect the fuel-bed tray is flooded with crystals along with several pieces of slate and finished with the signature logs. This setup creates more light and brightens the logs and fuel bed.

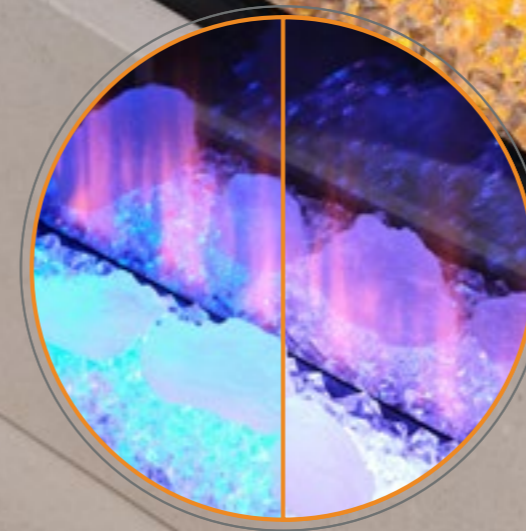
One setting that can take you through a journey of tranquillity is the auto-transitioning of all three fuel bed colours. The seamless changing of colours creates a vibrant mood and atmosphere.

\*Included with standard model

## // DIAMOND LIGHT

This fuel-bed setting is all about light, colour, and flames. Small crystals, along with several larger crystals, create a sea of sparkle and sensation. Due to the absence of the Signautre Logs the flame-effect's raw elegance is exposed.

\*Included with standard model



# // DOWNLIGHT-EFFECT

Our award-winning LED flame technology is impressive by itself. It becomes even more amazing when the downlights are turned on. They illuminate the mirror that reflects the logs and creates a 3D-effect with the appearance of a deeper looking fuel bed.



DOWNLIGHT EFFECT OFF



3D Log Reflection

DOWNLIGHT EFFECT ON

# // AWARD-WINNING FLAMES

The New Forest 650sq LED flame-effect is second-to-none. In fact, it won Hearth & Home's Vesta Award for *The Art of Fire* at the 2020 HBPEXPO in the USA.

See for yourself by scanning the QR Code Below...



Realistic LED flame-effect



# // BE IN CONTROL

The New Forest 650sq is equipped with a remote control that bridges the connection between you and your fire. Each button displays an icon that clearly identifies the function to engage with the fire and explore the features.

## Open window detection

If there is a sudden drop in temperature of 5°C or more within a ten minute period, the heater will automatically turn off to preserve energy. Look out for the OP sign on the digital display to show this has been activated. The heater will start up again once the temperature in the room rises or you choose to manually turn it back on.

## Down lighting

Select to have the carefully placed spot lights on and see every detail of the fire. Turn them off and you will see how relaxing the fuel bed can really be.

## Fuel bed colour change

Cycle through all of the three colours that each provide a unique style. Can't decide... the cycle setting will flow through all of the colours for you.

## Timer boost

A range of settings between one and nine hours can be selected to turn the heater on for a desired length of time.

## Flame control

Choose from four settings to adjust the brightness of the flame to suit your mood. Watch as the flames change brightness and height.

## Daily and weekly timer

Set the fire to provide you with heat on any day throughout the week. The seven-day programmable calendar will remember your settings and will activate the thermostatic heater on each day and every week for when you need the New Forest fire the most.

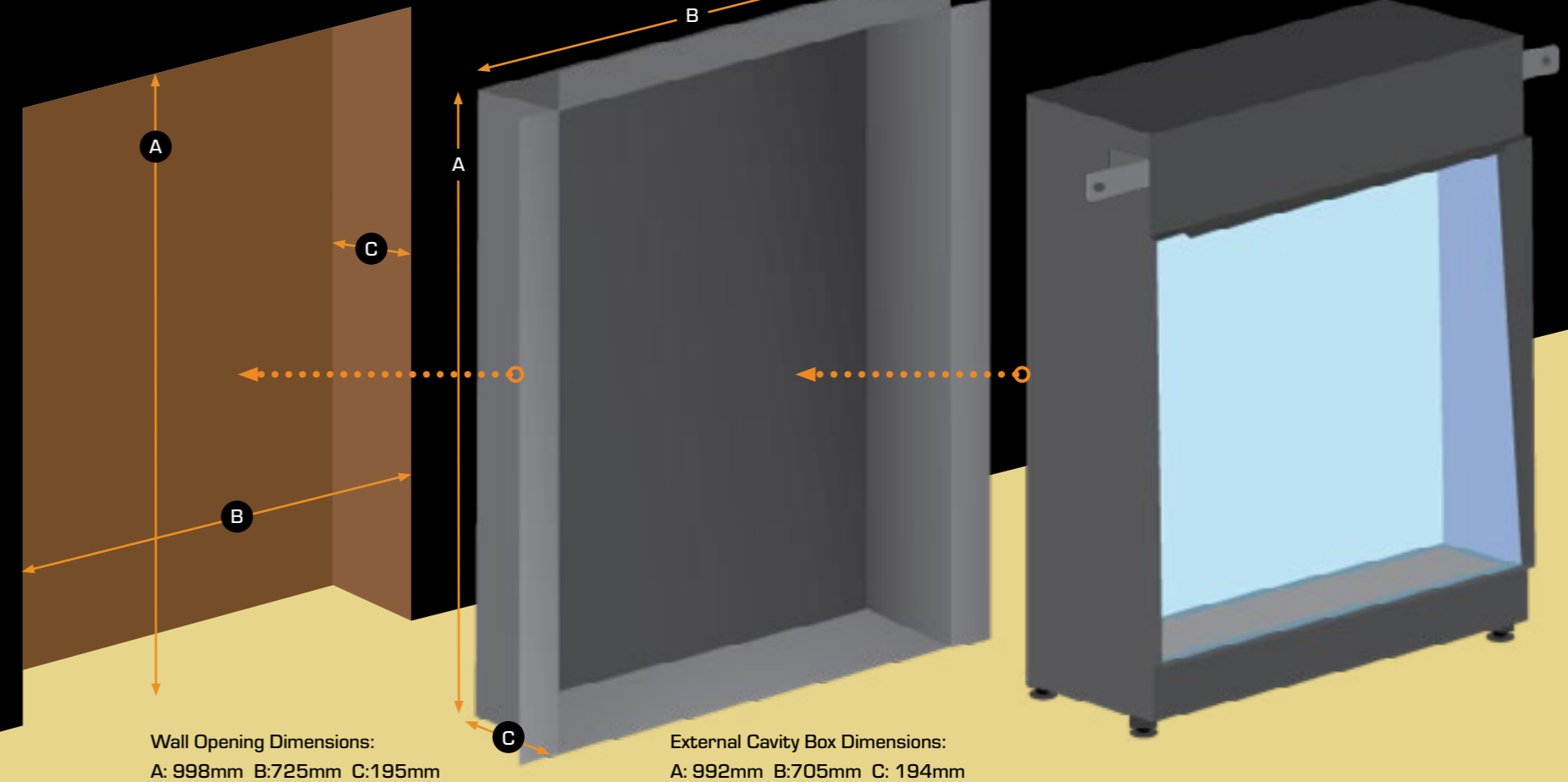


# // CAVITY BOX INSERT

**1** Furnish an opening to the dimensions required.

**2** Fit the Cavity Box into place and secure.

**3** The New Forest 650sq will then fit into place and be protected from any exterior elements.



\*Optional extra for installation.

# // NEW FOREST 650SQ ELECTRIC FIRE

# // CONTACT

# // GUARANTEE

## 650sq Dimensions:

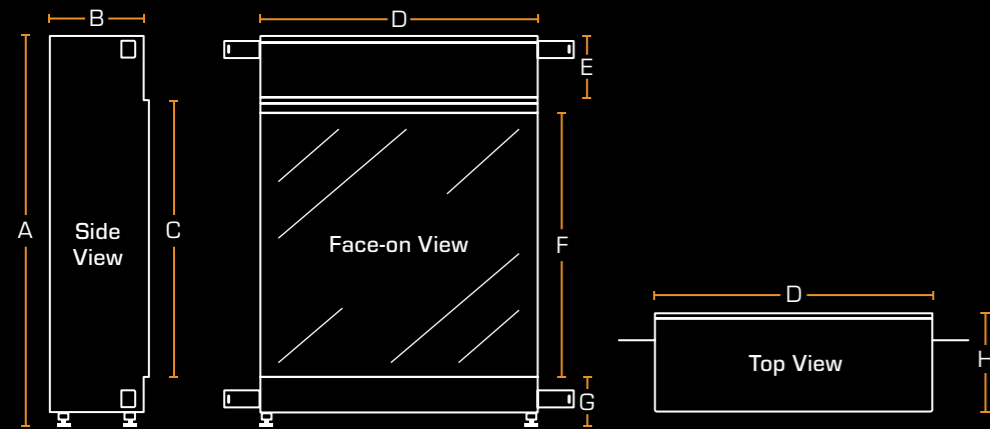
A	911.0mm
B	222.0mm
C	652.0mm
D	652.0mm
E	150.0mm
F	620.0mm
G	109.0mm
H	234.0mm

## Product specifications:

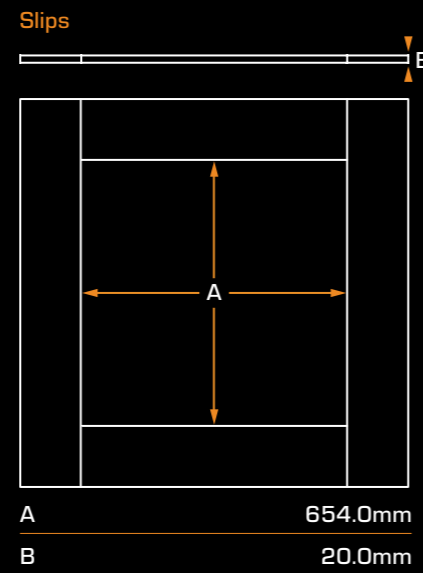
Heat output:	1500W
Supply voltage:	220-240V AC
Rating power:	50Hz
Fuse rating:	13 Amp
Lighting:	LED

## Product features:

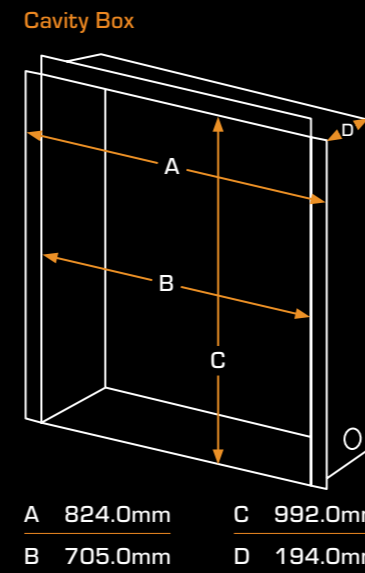
- 3-pin plug with 1.8m long cord
- All fuel bed items included\*
- Remote control included



\* Not included with optional upgrade to Deluxe Real Logs



A	654.0mm
B	20.0mm



A	824.0mm	C	992.0mm
B	705.0mm	D	194.0mm

+44 (0) 808 169 9911

info@britishfires.com

www.britishfires.com

British Fires Ltd  
Unit 10 Avon Trading Park  
Christchurch  
Dorset  
BH23 2BT  
United Kingdom

3-year guarantee – At British Fires we pride ourselves on quality and performance, so much so that each British Fires electric product is applicable for a 3-year guarantee when purchased from an authorised dealer. We offer a standard 1-year guarantee on every electric product, but to ensure your product is covered for a further 2 years, free registration is required on our website [www.britishfires.com/guarantee](http://www.britishfires.com/guarantee). Full warranty terms and conditions are available to view at [www.britishfires.com](http://www.britishfires.com).

All appliances must be installed in a correctly ventilated space in accordance with the manufacturer's installation instructions and the rules in force. This brochure is for guidance only and is not intended to replace the installation manual, which provides more detailed information. April 2022. British Fires®

Installation: Please contact your local British Fires dealer for information on this.





// NEW FOREST 650SQ ELECTRIC FIRE